

LINEA L [LUMINAIRE]

Modular LED aluminium profile system

Designed for continuous lighting systems with different shapes and individual luminaires

Medium power version: 27W | 2200lm | 1000mm length | luminaire

High power version: 43W | 3750lm | 1000mm length | luminaire

Many different junctions and connectors to create any lighting structures

High performance opal diffuser

Surface mounted or suspended

Height-adjustable cord suspension with transparent power supply cable and ceiling base for suspended version

CCT= 3000K | 3500K | 4000K | other on request
CRI(Ra) > 80 as standard | CRI(Ra)>90 on request
MacAdam 3

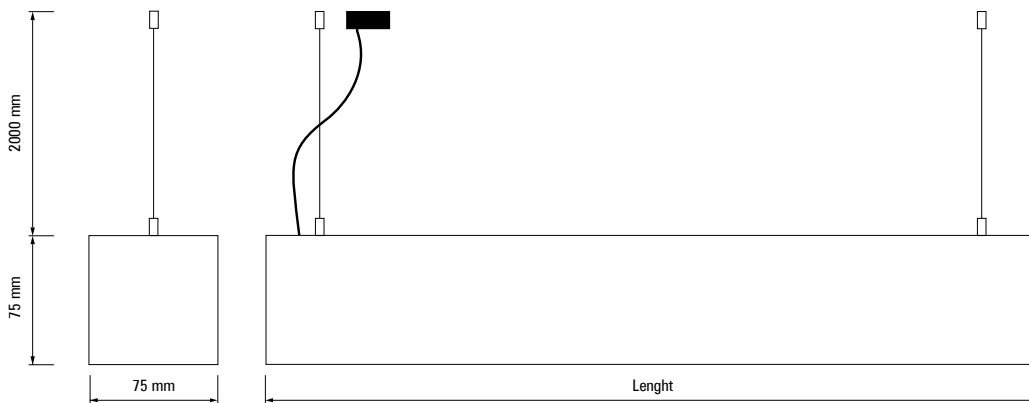
5 years guarantee

220-240V 50/60 Hz Power supply

ON/OFF | DALI | CASAMBI | BLL | TUNABLE WHITE

Anodized/White/Black other colours on request

ca. 3,5kg | 1000mm



Type	CRI+ CCT *	Reflector	Dimming	Colour
Medium power 27W 2200lm 1000mm	■	■	■	■
LTS 309 1/14 LED	830	PM	- (ON/OFF)	AA (ANODIZED ALUMINIUM)
LTS 309 1/20 LED	835		DALI	WH (WHITE)
LTS 309 1/27 LED	840		CASAMBI	BL (BLACK)
LTS 309 1/33 LED			BLL	
LTS 309 1/40 LED			TUNABLE WHITE	
LTS 309 1/47 LED				
LTS 309 1/53 LED				
LTS 309 1/60 LED				
LTS 309 1/66 LED				
High power 43W 3750lm 1000mm	■	■	■	■
LTS 309 1/22 LED	830	PM	- (ON/OFF)	AA (ANODIZED ALUMINIUM)
LTS 309 1/33 LED	835		DALI	WH (WHITE)
LTS 309 1/43 LED	840		CASAMBI	BL (BLACK)
LTS 309 1/54 LED			BLL	
LTS 309 1/65 LED			TW (TUNABLE WHITE)	
LTS 309 1/75 LED				
LTS 309 1/86 LED				
LTS 309 1/97 LED				
LTS 309 1/107 LED				

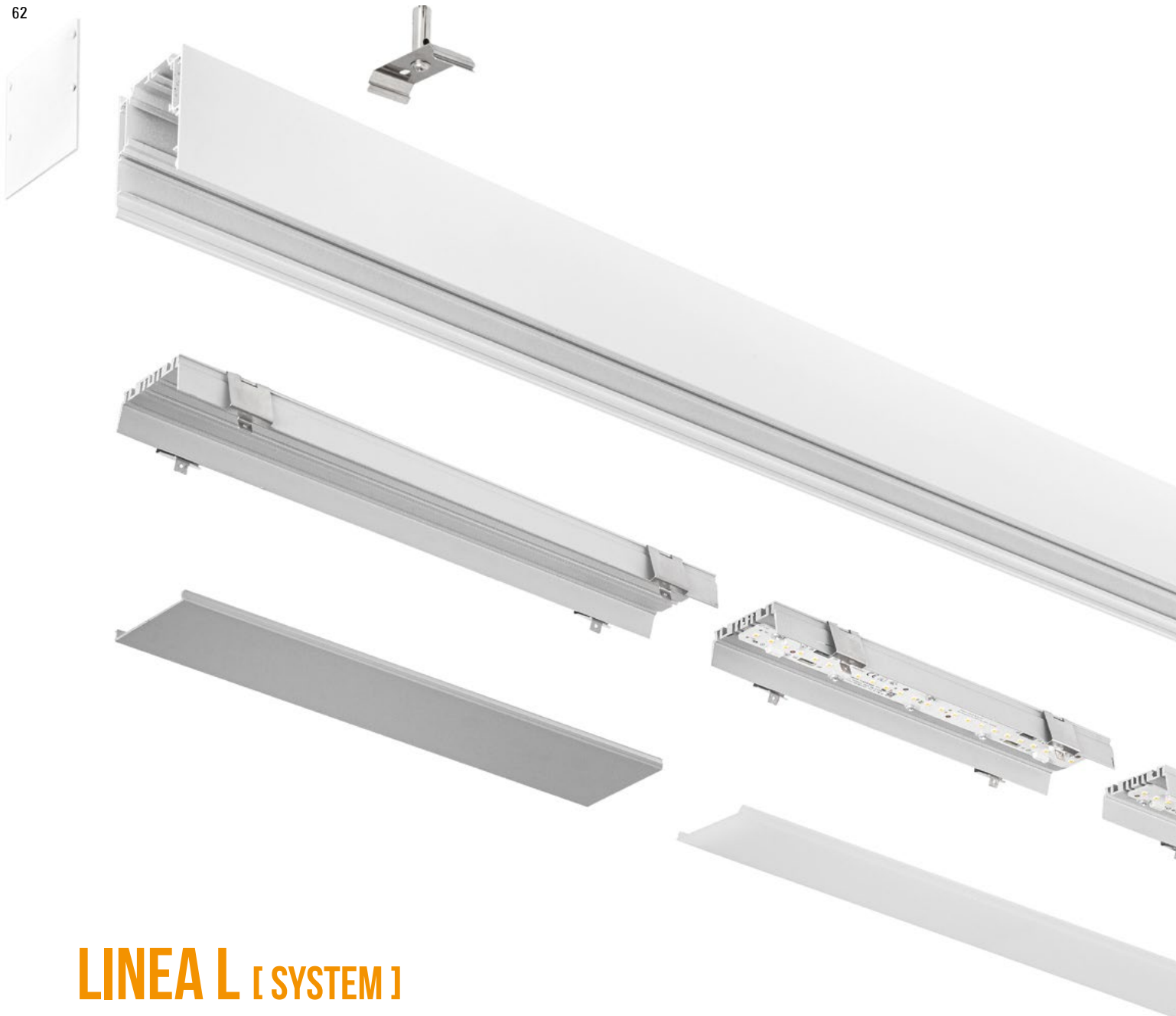
* - other versions also possible
 Order example: LTS 309 1/23 LED 830 ON/OFF WHITE

Type	Lenght [mm]	Module Power [W]	Luminaire Power [W]	Module Flux* [lm]	Luminaire Flux* [lm]
Medium power 27W 2200lm 1000mm					
LTS 309 1/14 LED LI	580	14	16	2240	1230
LTS 309 1/20 LED LI	860	20	23	3360	1850
LTS 309 1/27 LED LI	1140	27	31	4480	2460
LTS 309 1/33 LED LI	1420	33	38	5600	3080
LTS 309 1/40 LED LI	1700	40	46	6720	3700
LTS 309 1/47 LED LI	1980	47	54	7840	4310
LTS 309 1/53 LED LI	2260	53	61	8960	4930
LTS 309 1/60 LED LI	2540	60	69	10080	5540
LTS 309 1/66 LED LI	2820	66	75	11200	6160
High power 43W 3750lm 1000mm					
LTS 309 1/22 LED LI	580	22	25	3880	2130
LTS 309 1/33 LED LI	860	33	38	5820	3200
LTS 309 1/43 LED LI	1140	43	49	7760	4270
LTS 309 1/54 LED LI	1420	54	62	9700	5340
LTS 309 1/65 LED LI	1700	65	74	11640	6400
LTS 309 1/75 LED LI	1980	75	86	13580	7470
LTS 309 1/86 LED LI	2260	86	98	15520	8540
LTS 309 1/97 LED LI	2540	97	111	17460	9600
LTS 309 1/107 LED LI	2820	107	122	19400	10670

Based on CCT=3000K CRI(Ra)>80



Power, Luminous Flux and CCT depending on customer need; current detail technical data on website www.sentinel.pl
 Power & Luminous flux tolerance +/- 10%. Driverless versions on request.

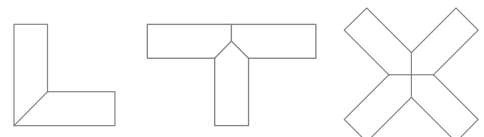


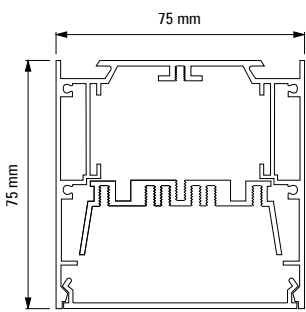
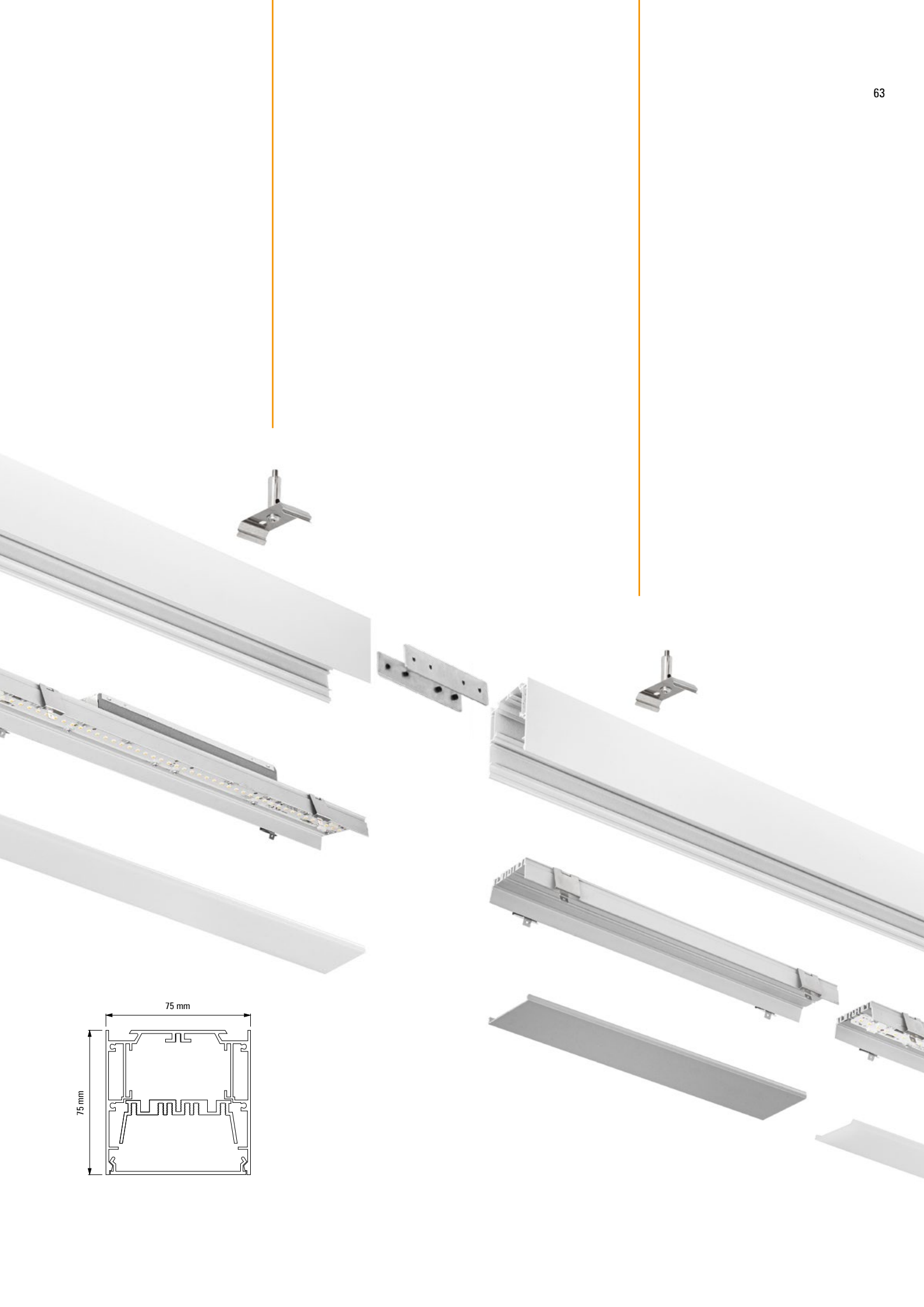
LINEA L [SYSTEM]

Modular LED aluminium profile system
 Designed for continuous lighting systems with different shapes and individual luminaires
 Medium power version: 27W | 2200lm | 1000mm length | luminaire
 High power version: 43W | 3750lm | 1000mm length | luminaire
 Many different junctions and connectors to create any lighting structures
 High performance opal diffuser
 Surface mounted or suspended
 Height-adjustable cord suspension with transparent power supply cable
 and ceiling base for suspended version





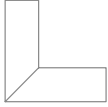
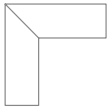
CCT= 3000K | 3500K | 4000K | other on request
 CRI(Ra) > 80 as standard | CRI(Ra)>90 on request
 MacAdam 3

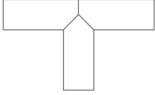
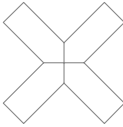




5 years guarantee
 220-240V 50/60 Hz Power supply
 ON/OFF | DALI | CASAMBI | BLL | TUNABLE WHITE
 Anodized/White/Black other colours on request
 ca. 3,5kg | 1000mm





LINEA L [SYSTEM]

Type	Length [mm]	CRI+CCT *	Dimming	Colour
	Aluminium empty profile			■ AA (ANODIZED ALUMINIUM) WH (WHITE) BL (BLACK)
	LTS 309 EP 1000 [cut to required length] ■	1000		
	LTS 309 EP 2000 [cut to required length] ■	2000		
	LTS 309 EP 3000 [cut to required length] ■	3000		
	LED linear inserts			■ ■ ON/OFF DALI CASAMBI BLL TW (TUNABLE WHITE)
	Low power: 14W 1200lm 1000mm			
	LTS 309 1/7 LED LI ■ ■	565	830	
	LTS 309 1/10 LED LI ■ ■	845	835	
	LTS 309 1/14 LED LI ■ ■	1125	840	
	LTS 309 1/17 LED LI ■ ■	1405		
	Medium power: 27W 1200lm 1000mm			
	LTS 309 1/14 LED LI ■ ■	565	830	
	LTS 309 1/20 LED LI ■ ■	845	835	
	LTS 309 1/27 LED LI ■ ■	1125	840	
	LTS 309 1/33 LED LI ■ ■	1405		
	High power 43W 3750lm 1000mm			
	LTS 309 1/22 LED LI ■ ■	580	830	
	LTS 309 1/33 LED LI ■ ■	860	835	
	LTS 309 1/43 LED LI ■ ■	1140	840	
	LTS 309 1/54 LED LI ■ ■	1420		
	Opal Cover			
	LTS 309 PM 1000 [cut to required length]	1000		
	LTS 309 PM 2000 [cut to required length]	2000		
	Aluminium Blind Cover			■ AA (ANODIZED ALUMINIUM) WH (WHITE) BL (BLACK)
	LTS 309 BC 1000 [cut to required length] ■	1000		
	LTS 309 BC 2000 [cut to required length] ■	2000		
	L Junction 90DEG horizontal			■ AA (ANODIZED ALUMINIUM) WH (WHITE) BL (BLACK)
	LTS 309 LJH ■			
	L Junction 90DEG vertical for wall-ceiling connection			■ AA (ANODIZED ALUMINIUM) WH (WHITE) BL (BLACK)
	LTS 309 LJV ■			

Type		Lenght [mm]	CRI+CCT *	Dimming	Colour
	T Junction LTS 309 TJ ■				■ AA (ANODIZED ALUMINIUM) WH (WHITE) BL (BLACK)
	X Junction LTS 309 XJ ■				■ AA (ANODIZED ALUMINIUM) WH (WHITE) BL (BLACK)
	Invisible line connectors 180DEG (pair) LTS 309 ILC				GALVANIZED STEEL
	Invisible line connectors for any angle connections (pair) LTS 309 ILCA				GALVANIZED STEEL
	End Caps LTS 309 EC (pair) ■	75x75 h=2			■ AA (ANODIZED ALUMINIUM) WH (WHITE) BL (BLACK)
	Power supply LTS 309 PS 3x0,75mm2 2000 ■ LTS 309 PS 5x0,75mm2 2000 ■ other execution and lenghts on request	2000 2000			■ AA (ANODIZED ALUMINIUM) WH (WHITE) BL (BLACK)
	Ceiling brackets LTS 309 CB (pair)				STAINLESS STEEL
	Suspension Wire Kit LTS 309 SWK 2000 other lenghts on request	2000			STAINLESS STEEL